

**THE LONGHORN
6,000 LB.
MOVEABLE &
STORABLE
TWO POST LIFT**

*Now there's no excuse not to own a lift.
These columns store out of the way and then set up in minutes
to help with all those undercar repairs. We use the same style steel
columns and hydraulic system used in our commercial lifts.*

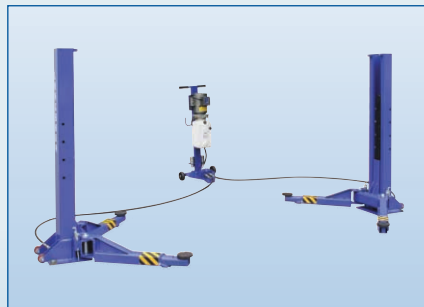
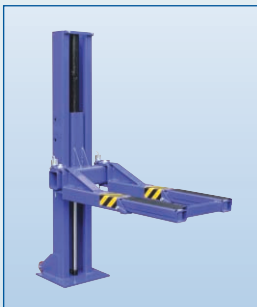
TP-LONGHORN-6K
Movable & Storable
Two Post Lift



–Optional Accessories:

◆ Motorcycle Lifting Rack

◆ Working Platform



Features:

- ◆ Ideal for standard height residential garages
- ◆ Conveniently stores out of the way
- ◆ Provides wheel-free convenience for quick brake and tire service
- ◆ Easily converts into a full service motorcycle lift
- ◆ Good for DIY'ers around the house and side jobs, or part-time auto repair business
- ◆ Quick connect/disconnect hydraulic couplers, unique gear flow driver, keeps lift level even if load balance pressure changes
- ◆ Rugged safety lock bars for extra assurance

SPECIFICATIONS:

TP-LONGHORN-6K

Capacity	6,000 lbs.
Height overall	89"
Column height	64"
Max. lifting height (pad only)	45"
Max. lifting height (with 3" adapter)	49"
Low pad height	3 ½"
Lowest locking position	24"
Highest locking position	40"
Shipping weight	880 lbs.

