

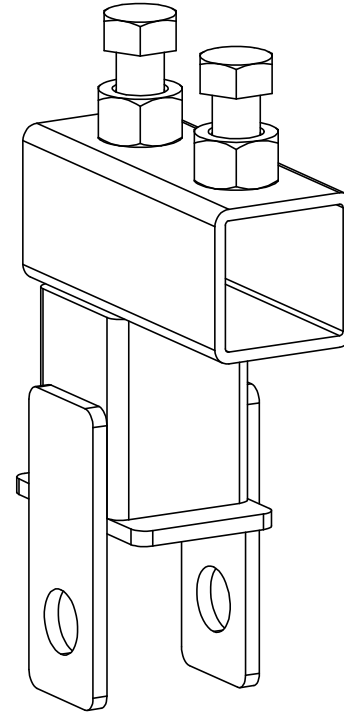
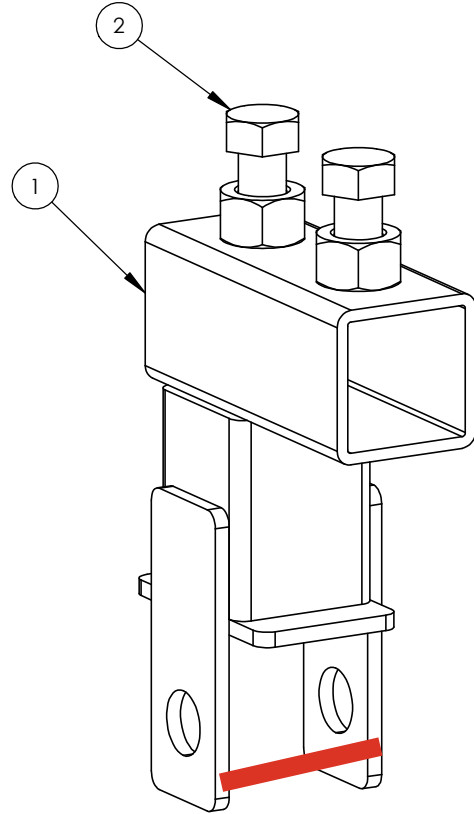
ITEM NO.	PART NUMBER	QTY.	DESCRIPTION	CHECK
1	AT-CAMARO-W01	2	LEAF SPRING BRACKET WELDMENT	
2	1-A239	4	3/4-10X1.5 A325	
3	1-BOX12X8X6	1	12X8X6 BOX ULINE S-4121	
4	5-PROP65-LABEL	1	PROP 65 LABEL	

AT-CAMARO-LEAF-KIT

CHECK OFF INITIAL _____

B

B



A

A