



**MEDIA BLAST  
& ABRASIVE, INC.**  
591 WEST APOLLO ST., BREA, CA 92821  
(714) 257-0484 | MEDIABLAST.COM



# OPERATOR'S MANUAL

# Cobra



# INDEX

<b>INDEX</b> .....	2
<b>IMPORTANT INFORMATION</b> .....	3
<b>OPERATION AND MAINTENANCE DIAGRAM</b> .....	4
<b>OPERATION MANUAL</b> .....	4-18
<b>INSTALLATION</b> .....	5-6
Unit Placement.....	5
Electrical Requirements .....	5
Air Connection and Requirements .....	5-6
Attachment of the Dust Collector.....	6
Filling with Abrasive.....	6
<b>OPERATION</b> .....	6-8
Turn on the unit.....	6
Filling with Abrasive.....	7
Adjusting the Mixing Valve.....	7
Adjusting Blasting Pressure.....	7-8
Blasting Parts.....	8
<b>SERVICE</b> .....	8-9
When to Drain and Change Abrasive.....	8
How to Drain Abrasive.....	8
Cleaning the Dust Collector.....	8-9
<b>SPECIAL MAINTENANCE</b> .....	10
View Window Replacement with Z Brackets.....	10
Abrasive Gun Maintenance.....	10
Abrasive Hose Replacement .....	10
View Window Replacement Diagram, molded.....	10
Filter Cartridge Replacement with parts.....	11
<b>OPTIONS</b> .....	12
Electrostatic Shock.....	12
Window Protector Glass.....	12
Gun Holding Fixture.....	12
<b>TROUBLESHOOTING GUIDE</b> .....	13-14
Erratic Abrasive Delivery.....	13
No Abrasive Delivery.....	13
Low Abrasive Delivery.....	13
Dusty Abrasive Poor Visibility.....	13
Dust Collector not Cleaning.....	13
Poor Cabinet Visibility.....	13
High Abrasive Usage.....	14
Premature Window Failure.....	14
Excessive Gun Wear.....	14
Longer Cleaning Time.....	14
<b>WARRANTY</b> .....	15
<b>PARTS INTRODUCTION</b> .....	16
<b>MACHINE PARTS DIAGRAMS, PART LIST &amp; ELECTRICAL DIAGRAM</b> .....	17-19



## IMPORTANT INFORMATION

# Light Duty and Non-Production siphon blast machines

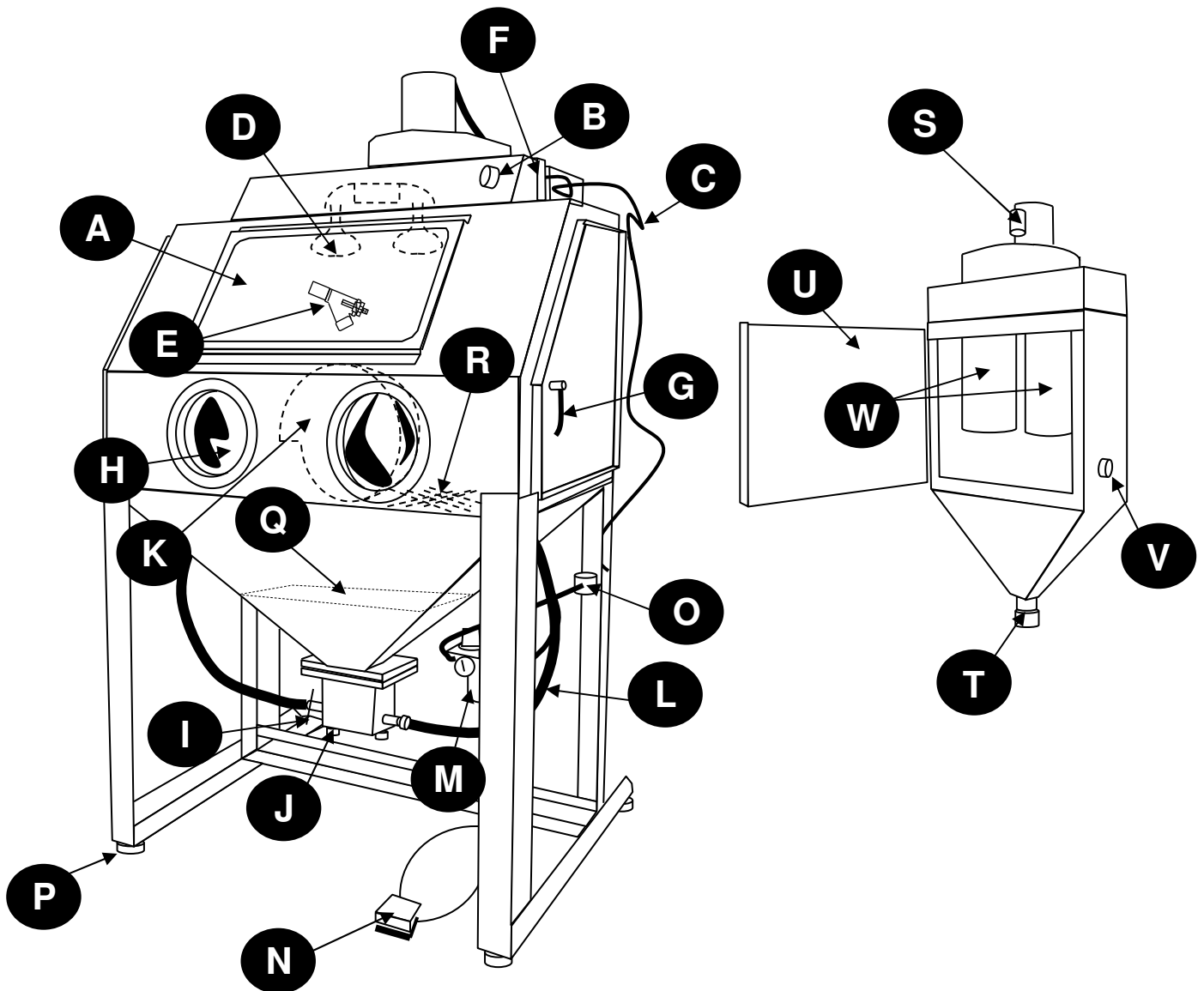
The information that follows will be used for proper operation of the Cobra cabinet. Use this sheet for the initial machine set-up. You may refer to this sheet at any time for detailed operation instructions refer to the Operator's manual starting on page 5.

All Media Blast models are easy to set-up, operate and maintain. However, there are several important issues you should know before you start:

- ❖ **ALWAYS USE CLEAN, DRY COMPRESSED AIR.** Moisture will cause abrasive to stick together preventing flow. Due to the smaller gun sizes used with this model, we recommend abrasive sizes of 60-150 mesh for the best machine operation.
- ❖ **FOR PROPER OPERATION, THE STANDARD NOZZLE REQUIRES 16.2 CFM OF COMPRESSED AIR @ 80 psi.** Make sure that your air compressor exceeds this requirement by at least 25%, if not, your set blasting pressure may not maintain during machine operation. Premature compressor failure can be a secondary result of using a marginally sized air compressor. Smaller nozzles are available but the amount of work accomplished using smaller siphon nozzles will be reduced.
- ❖ **NEVER ALLOW HOT COMPRESSED AIR TO ENTER ANY BLAST CABINET.** Hot compressed air can be caused by operation of an undersized air compressor. When hot compressed air comes in contact with the cool steel cabinets, moisture will occur. Install an adequate air cooler for proper operation or an ambient air dryer at the air inlet of the machine. Heated compressed air can be checked by simply feeling the compressed air inlet hose during operation. A warm hose will suggest possible wet air during machine operation.
- ❖ **WHEN USING GLASS BEADS, DO NOT BLAST ABOVE 80 PSI.** Most applications for small blasting equipment operate using glass beads as the blasting media. Different size glass beads will take different maximum blasting pressures but the rule of thumb is 80 psi against cold roll steel. This will allow the bead to clean and bounce off the part undamaged. These figures are for siphon cabinets only and harder and softer part substrates will affect results.
- ❖ **INSTALL A MAIN COMPRESSED AIR SHUT OFF/LOCK OUT VALVE.** This permits safe future maintenance of the machine. This valve allows locking closed during machine maintenance.
- ❖ **REGULARLY CHECK THE BORE OF THE NOZZLE.** It is important to replace the nozzle after it has worn. Replace the nozzle when the i.d. has worn 1/16 of an inch. Impact velocity is lost when the i.d. of any nozzle wears beyond this point and turning up the blasting pressure can damage the bead.
- ❖ **USE MBA REPLACEMENT COMPONENTS.** Replacement of worn components with parts not purchased from MBA will void the warranty. The components used by Media Blast are of the highest quality and will provide the longest serviceable life.
- ❖ **REVIEW THE ENTIRE OPERATOR'S MANUAL PRIOR TO MACHINE OPERATION.** Most problems associated with the machine can be identified by simply consulting the Troubleshooting Guide. However, if your problem cannot be found in the Troubleshooting Guide, please give us a call. Nearly all equipment malfunction issues can be resolved over the telephone.
- ❖ **PRO TIP - BUYING AN AIR COMPRESSOR.** Some important air compressor buying facts have been listed below:
  - Two-stage air compressors produce more air volume than single stage
  - Cast iron pumps are normally best, cast iron piston sleeves are also good
  - 100% duty cycle is best and produces cooler compressed air
  - Horizontal units normally pump more volume, vertical units are smaller pumps to pass safety vibration test
  - Tank size can't make up for limited air volume
  - Always buy compressed air volume using the cfm number listed at 90-100 psi and not simple displacement
- ❖ **Media Blast & Abrasives, Inc.**



# Operation and maintenance diagram – Cobra



## KEY

- |   |   |
|---|---|
| <b>A.</b> View window & frame           | <b>P.</b> Leg levelers                        |
| <b>B.</b> On-Off switch lights & blower | <b>Q.</b> Scalper screen                      |
| <b>C.</b> 120 volt power cord           | <b>R.</b> Expanded metal work grate           |
| <b>D.</b> Light bulbs                   | <b>S.</b> Exhaust blower motor and impeller   |
| <b>E.</b> 2Y gun                        | <b>T.</b> Dust collector drain                |
| <b>F.</b> Air inlet filter              | <b>U.</b> Service access door                 |
| <b>G.</b> Door latch right side         | <b>V.</b> Filter rapper handle                |
| <b>H.</b> Gloves                        | <b>W.</b> Filter cartridges, 2 each 90 sq.ft. |
| <b>I.</b> Mixing valve w/air draw tube  |   |
| <b>J.</b> Drain                         |   |
| <b>K.</b> Separator Reclaimer           |   |
| <b>L.</b> Abrasive hose                 |   |
| <b>M.</b> Air regulator/filter gauge    |   |
| <b>N.</b> Foot valve                    |   |
| <b>O.</b> Air control valve             |   |

Control locations may vary slightly



# INSTALLATION



Never use sand in any stationary blasting cabinet. Sand contains free silica known to cause irreversible medical conditions. Poor quality material that does not recycle voids machine warranty.

## 1. Unit Placement

Allow adequate clearance for machine loading and unloading. Never place unit where direct light can strike the operator view window, this will cause reflections on the view window and make it difficult for the operator to view the work in progress.

### NOTE:

The Cobra machine comes with the dust collector already assembled and ready for operation. Open the access door on the dust collector and check the two filter cartridges making sure they did not loosen during shipment. It will not be possible to slide the filters if tight....never tighten and collapse the cartridge pleats.

Lights bulbs may be packed separately inside the unit for shipment. Make sure to install the bulb sealing washer inside the cabinet.

## 2. Electrical Requirements

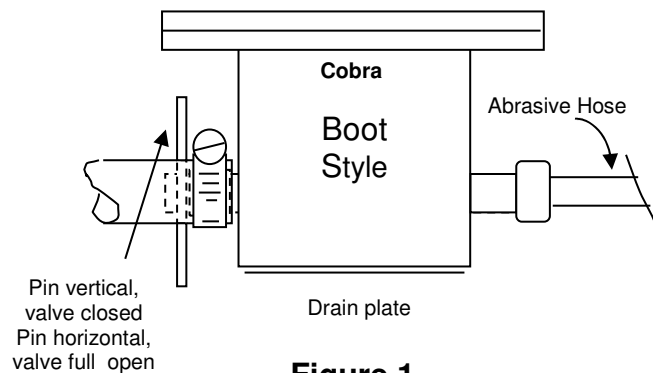
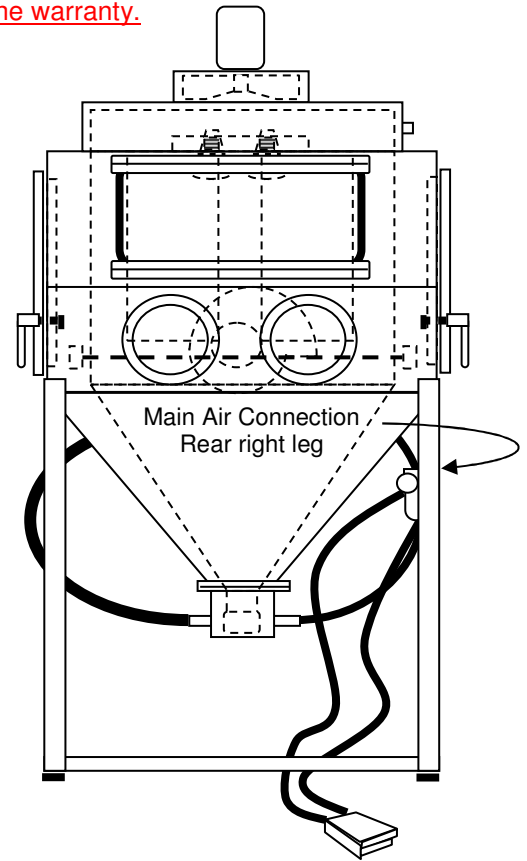
All Media Blast Light Duty and Non-Production units are manufactured using 120 volt, 1-phase 60 cycle electrical controls standard. All 120-volt machines will plug into any standard (isolated) grounded service outlet. Some units are available with higher Single Power Source, always check the machinery "NAME TAG" for the electrical requirements of the unit being installed. Never use extension cords for the operation of any 120 volt model.

### NOTE:

Always check exhaust blower rotation for proper direction of the motor. Check arrow indicator located on the blower housing for proper motor rotation. Improper blower rotation will result in poor cabinet visibility and separator reclaimers reduced performance.

## 3. Air Connection

Most machines, "Cobra Exception", require final air source connection at the rear of the blast control foot pedal. Some machines with special electrical or safety door interlocks will have the final air connection at the air control panel just before the master air-control valve or at the rear leg of the machine. The Cobra air inlet is located at the rear right leg of the machine.



**Figure 1**

### NOTE:

Never use quick disconnect fittings for machine installations, (Hobby Blast exception). Use only 1/2" pipe size or 1/2" I.D. hose with proper barb fittings. Using smaller than required airlines will cause reduced blasting pressures or a large drop from static pressure setting to blasting pressure. If the air source is over 50 feet from the machine use 3/4" pipe for line source.

#### 4. The Cobra is fully assembled

The only item packed separately on the Cobra will be the light bulbs. Make sure the heat sealing washer is installed with the washer on the bulb inside the cabinet.

#### 5. Filling with Abrasive

All machines should be filled with abrasive with the exhaust blower running. This will prevent dust created during the filling operation from escaping the cabinet. Open the access door and pour the required volume of abrasive directly onto the work grate. The following chart will show the proper amount of abrasive for each machine model. Pour the abrasive directly into cabinet.

HOBBY BLAST	25 LBS.
SPACE SAVER HD	50 LBS.
VIPER HD	50 LBS.
<b>COBRA</b>	<b>50 LBS.</b>
SHOP STANDARD, 3628	50 LBS.
SHOP STANDARD, all other sizes	100 LBS.

### NOTE:

Abrasive quantities are based on 100 pounds per cubic foot. If the abrasive being used is not equal to this weight volume use 1/2 cubic foot for 50-pounds. Never use poor quality abrasive, sand or slags, in any recycling cabinet. The rapid and continuous breakdown of softer abrasives reduces cabinet visibility. When a cutting abrasive is being used, please consult the manufacturer for necessary machine modifications required to prevent high parts wear.

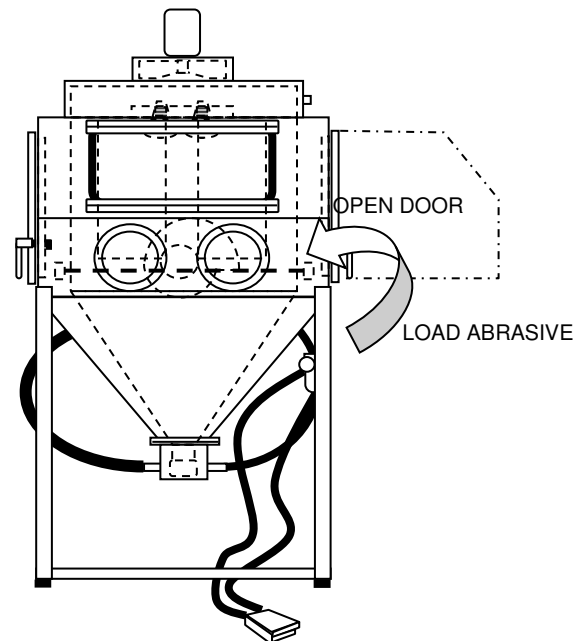
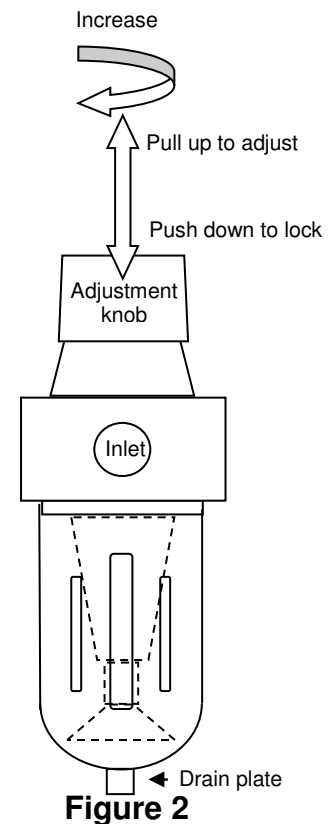
Using smaller quantities of abrasive will result in more abrasive recycles per hour. This will require the abrasive be removed and replaced more often.

The most common abrasive used is glass beads. Never exceed maximum impact velocity, 70-90 psi depending on bead size, average bead recycles is about 30 times for normal part hardness and most Light Duty models are delivering 5 pounds per minute....simple math will indicate the time for removal and replacement.

## OPERATION

### 1. Turn Unit ON

The machine should be ON before adding abrasive. This will help control the dust created inside the cabinet during abrasive loading.



## 2. Fill with abrasive amount, see page 6

With the exhaust blower in the ON position, pour the recommended amount directly into the cabinet...see page 6 for proper amount.

## 3. Adjusting the Media Mixing Valve

Regulation of the abrasive flow to the gun is accomplished using the Media Mixing Valve located at the bottom of the machine hopper. To change the amount of abrasive delivered to the gun, loosen the hose clamp located on the left side of the machine hopper and rotate the 3/16" adjustment pin until valve delivers a smooth uniform mixture of abrasive to the gun. Too much abrasive will cause erratic media delivery and pulsing. Always check to ensure the adjustment pin is touching the valve body. After adjustment is complete, tighten hose clamp.

(see figure 1)

## 4. Adjusting Blasting Pressure

The blasting pressure is adjusted using the "Air Regulator" control knob located at the top of the air filter regulator, (see figure 2.)

Turn regulator knob clockwise to increase pressure, counter-clockwise to decrease...the air regulator has a push-pull locking cap to maintain any setting. The following are ranges of blasting pressures recommended for normal use. The Hobby Blast uses a regulating valve to adjust the blasting pressure. Adjustment of the pressure is accomplished during the blast cycle. Open or close the brass ball valve slowly while observing the blast pressure gauge. When the gauge indicates the desired blasting pressure, the valve is set. Using pressures beyond the recommended ranges will cause the abrasive to breakdown prematurely.

GLASS BEADS (average)	0-80 PSI
GARNET (maximum setting)	0-60 PSI
ALUMINUM OXIDE	0-90 PSI
WALNUT SHELL	0-70 PSI
PLASTIC	0-90 PSI
<b><u>SAND &amp; SLAGS</u></b>	<b><u>DO NOT USE</u></b>

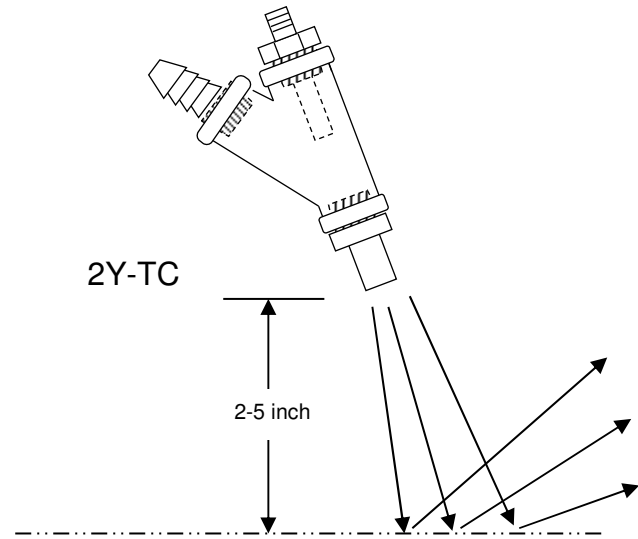


Figure 3

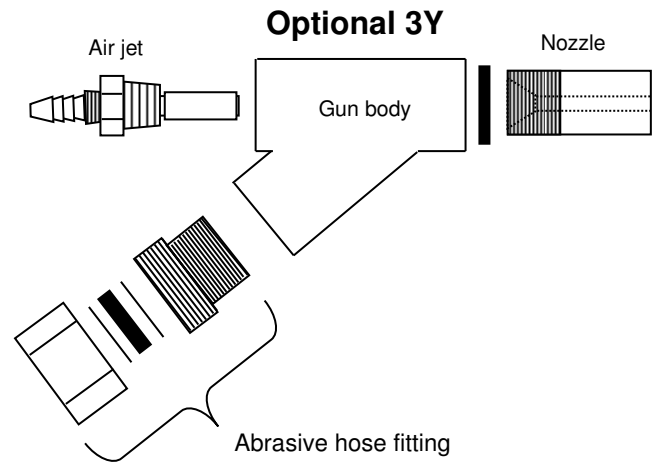


Figure 4



**NOTE:**

Never use sand or other soft, poor quality abrasives in any blast cabinet. Sand is intended for use in non-recoverable systems only using approved operator protection. Use in any cabinet will cause overloading of the dust collector, machine failure and void the warranty.

**5. Blasting Parts**

With parts loaded in the machine and all adjustments completed, the unit is ready for use. Holding the nozzle at a slight angle will yield the best results, (see figure 3.) Never hold the nozzle closer than 2 inches from the part being blasted and never hold perpendicular to the part surface at very close distance to the part....this will stop the flow of abrasive to the gun assembly. Press and hold the blasting pedal down for blasting, release to stop the blast. Units with safety door interlock will stop blasting when the door is opened.

**SERVICE**

**1. When to Drain or Change Abrasive**

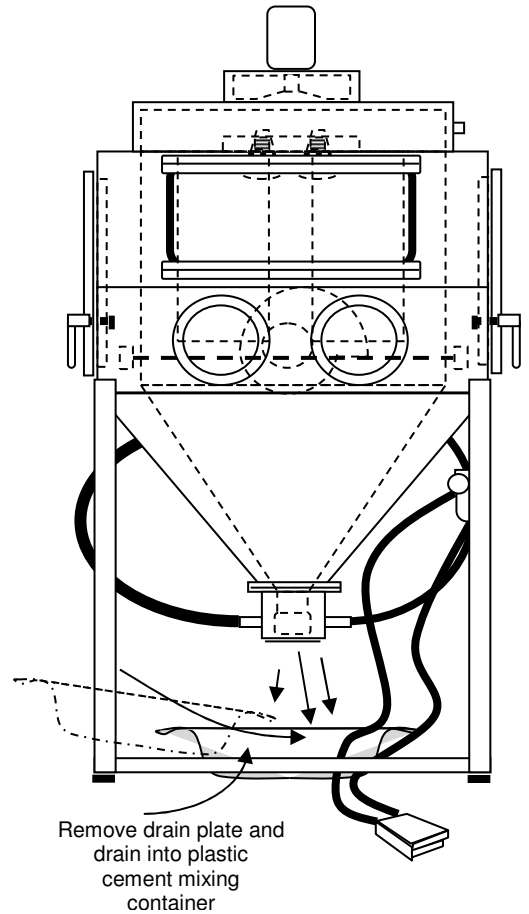
The volume of abrasive used, type of parts being blasted, blasting pressure, part hardness and abrasive type used will determine when the machine requires service. Units with Abrasive Separator Reclaimer will remove the fine materials and dust from the machine during operation. After a period of time even the abrasive in the machine will become too fine and must be replaced...small worn out abrasive cleans slower than new abrasive.

**NOTE:**

**Never add new abrasive to old worn dusty abrasive. This will ensure the best possible cabinet visibility.**

**2. How to Drain Abrasive**

All machines in this manual drain abrasive from the bottom of the machine hopper. Place a shallow container under the machine hopper (cement mixing tub) and remove the drain cap, drain plug or drain plate. While the drain is open, turn the exhaust blower ON and use the abrasive gun to blow off the inside cabinet ledges. Never add new abrasive to old, worn abrasive. This will ensure maximum efficiency and cabinet visibility. After blowing all inside ledges using the blast gun, replace the bottom hopper drain cap, plug or plate then clean the dust collector.





### 3. Cleaning the Dust Collector

The dust collector should be cleaned whenever visibility is reduced enough to affect proper part processing. All blasting applications are different and it is the responsibility of the operator to keep the dust collector serviced and working properly. Keeping the dust collector filter surface clean will allow the dust collector exhaust blower the maximum cabinet air exchanges needed to create the maximum cabinet visibility. Always turn the exhaust blower off.

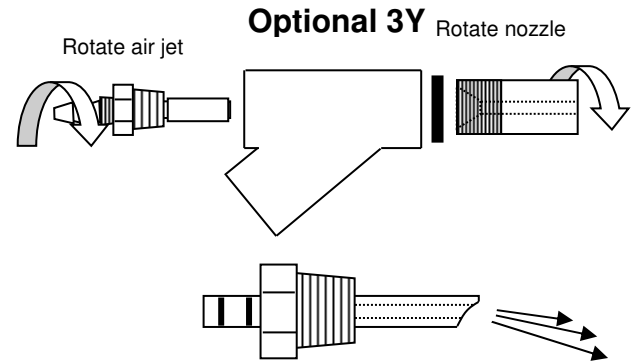
**NOTE:**

All dust collectors must be OFF in order to clean the dust collector filter surface.

Take precautions when cleaning any dust collector. Use a protective dust mask during the transfer of any collected dust inside the dust collection pail. Most light duty HD cabinets are equipped with a tubular dust bag. Clean the dust bag when the exhaust blower is OFF. Cleaning the filter regularly will maintain maximum cabinet visibility keeping the exhaust blower moving maximum blower airflow for proper operation of the separator reclaimer. An extremely dirty filter (s) can greatly reduce the separator reclaimer efficiency.

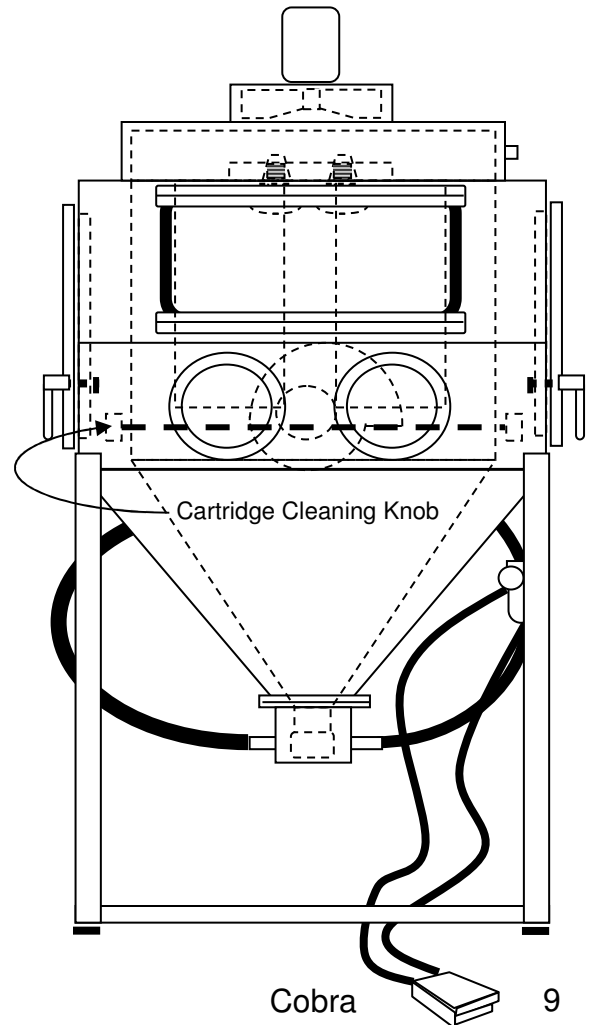
The Cobra is equipped with a 100% welded negative pressure cartridge dust collector. This unit has the most filter area, 90 sq.ft., and cleans with the exhaust blower turned off.

With the machine turned off, use the hand knob located on the rear left side of the dust collector and rotate until you feel the cleaning arms inside the dust collector come in contact with the bottom of the filter cartridges. Rotate the knob in the opposite direction and quickly rotate the hand knob back to strike the bottom of the cartridge with the cleaning arm. This should be done quickly 15 to 20 times. You can visually check to see if you are doing correctly by opening the access door and watching the dust drop from the filters. Never keep the access door open during the actual cleaning process. Tapping the dust storage hopper and hearing a solid thud indicates the hopper is ready to empty. You can attach a waste disposal bag to the dust collector hopper outlet for dust free removal.



**Replace a worn air jet**  
A worn air jet will deflect the compressed air and wear a slot in the nozzle and gun body

**Figure 5**





# SPECIAL MAINTENANCE

## View Window Replacement

Most view windows are held in place using “Z” brackets pressing the window against the window bladder seal. Most models are equipped with window protector glass eliminating the replacement of any safety glass window. Loosen the “Z” bracket bolts and slide the window out sideways for replacement. Tighten the “Z” bracket bolts after replacement. You can remove the top “Z” bracket but only loosen the bottom bracket to hold the old and new window in place during window replacement.

## Abrasive Gun Maintenance

**The abrasive gun consists of three main parts. The first part is the nozzle, the second part is the gun body and the third part is the air jet. (See figure 4)**

To replace the nozzle in the 2Y gun, unscrew and remove the nozzle from the gun body. Tap the gun body first to release abrasive in the threads... Visually inspect the nozzle entry and replace if required. Some nozzles include an “O” Ring to hold the nozzle tight, this will also allow small amounts of nozzle rotation to increase nozzle life. **Tapping the gun body before removing the nozzle will loosen abrasive inside threads and make the removal of the nozzle easier. This is important if the machine is using a cutting abrasive.**

### NOTE:

**Always replace any air jet when the tip is worn into the jet I.D. hole. (See figure 5).**

## Abrasive Hose Replacement

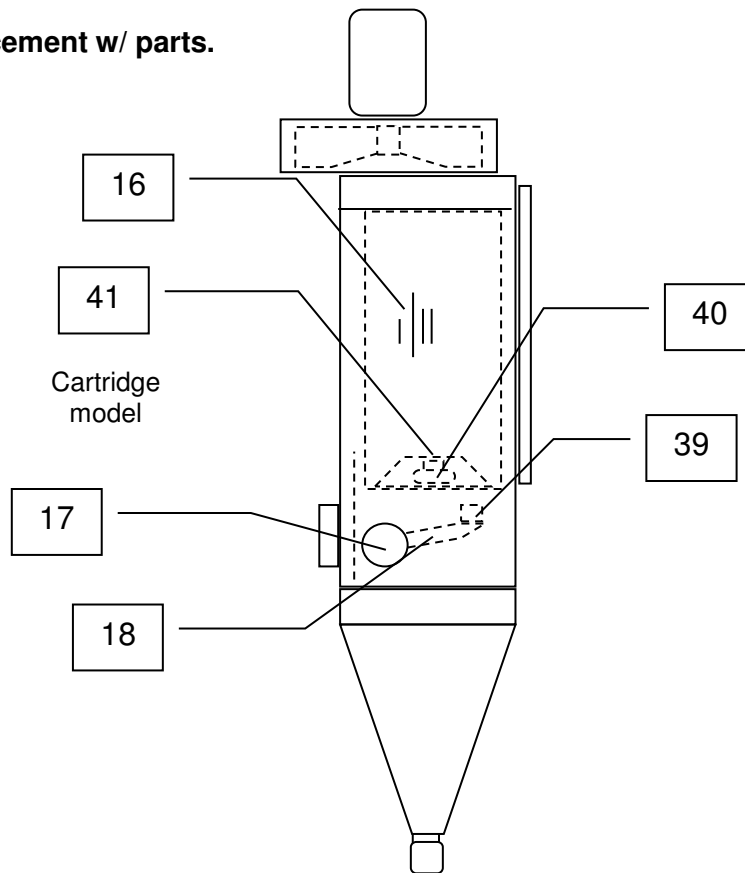
If the abrasive hose is worn out, it can no longer deliver abrasive to the gun. To replace the abrasive hose remove the blast gun from the abrasive hose. Loosen the cabinet fitting, if equipped, and pull the hose from outside the cabinet. Remove the hose from the abrasive mixing valve and replace with new hose.

## Air Compressor Usage

Machine Model	Gun	CFM Usage
Hobby	1Y	11.6 @ 80 psi
Space Saver HD	2Y	16.2 @ 80 psi
Viper HD	2Y	16.2 @ 80 psi
Viper HD	3Y	20.7 @ 80 psi
<b>Cobra</b>	<b>2Y</b>	<b>16.2 @ 80 psi</b>
Shop Standard	3Y	20.7 @ 80 psi

Siphon CFM, cubic feet of air per minute, calculated at 80 PSI, pounds per square inch, blasting pressure.

## Filter Cartridge Replacement w/ parts.



#16	100-08-007	Filter Cartridge 45 sq.ft.	2
#17	109-08-003	Rapper Handle	2
#18	109-08-005	Rapper Shaft complete, less handle with lever bars	1
#39	109-08-004	Rapper Shock Pad	2
#40	100-08-141	Cartridge Tightening Knob	2
#41	100-08-013	Seal	2

## Replacement of the dust collector filter cartridge (s):

- #1. Clean the filter cartridges first to remove the weight of the collected dust.
- #2. Open the access door and locate the bottom tightening knob at the bottom of the each filter cartridge.
- #3. Loosen the tightening knobs but do not remove.
- #4. Test the weight of the filter making sure you can easily lift and hold the filter during tightening knob removal.
- #5. Remove the tightening knob and drop each filter into the dust hopper.
- #6. Remove the filter cartridge without removal of the vertical tightening rod.
- #7. Replace with new filter cartridge making sure to install the new bottom sealing washer before installing the tightening knob.
- #8. Tighten the tightening knob until the filter cartridge no longer slides on the top mounting plate. **Do not over-tighten the mounting knob bending the filter pleats.**



# OPTIONS



**ELECTROSTATIC SHOCK:** Electrostatic shock is a common occurrence with abrasive blasting equipment. It is a condition that typically occurs in low humidity situations. Static electricity builds when two different materials are brushed or rubbed against each other and the different static build up charges are unable to balance using the surrounding air moisture conditions. Many abrasives, under these conditions, will “adhere” to the sides of the cabinet. This is due to the buildup of static in the cabinet. The most common item in abrasive blasting that will store static electricity is the blast cabinet itself. The cabinet acts as a condenser waiting to discharge to ground. Static electricity looks for a moist ground. Typically your body (consisting of nearly 90% water) becomes the best path for ground, therefore the harmless but annoying static shock.

Static electricity can also be caused by rubber mats used on top of the machine work surfaces or operator standing work area. The rubber does not allow the static to discharge to the cabinet or ground but builds up in the part being processed causing irritating static discharge.

To alleviate the static shock, MBA recommends using an approved Static Electricity Grounding Kit (part number 100-22-020). The grounding kit consists of a grounding strap for the machine and a grounding strap for the operator. When the grounding strap for the operator is attached to the operator’s wrist, the cabinet will be unable to act as a condenser; the static will be unable to build up and jump to the operator’s body. Refer to the Troubleshooting Index for other options. If using a rubber mat to protect the part being processed it may be necessary to supply a separate grounding clip from the part to the cabinet. Grounding the abrasive nozzle is also an option to prevent static from building up in the blast nozzle or gun body.

Other more aggressive static eliminators can be purchased if the above does not eliminate the problem. These items can be static eliminator grounding matt the operator uses to drain and eliminate static buildup. Static has a normal path for elimination using air as the conductor, dry air humidity will eliminate this normal static elimination and allow static build-up in the cabinet making an eliminator necessary.

**WINDOW PROTECTOR GLASS REPLACEMENT:** Machines using cutting abrasives require a window protector assembly. Light Duty models use a protector glass under the safety glass view window. Replacement of the protector glass is the same as the replacement for the view window, see Special Maintenance View Window Replacement above.

**PRO TIP:** Never use clear plastic sheets as a window protector. The soft material will etch quicker than glass collecting static sticking of the abrasive to the protector.

**GUN HOLDING FIXTURE:** This feature, allows the operator, to hold and maneuver the part to be blasted with both hands because, the blast nozzle is fixed in position. This option is recommended for operations that blast small or difficult to hold parts. Many different types of gun holders exist, adjustable and or fixed. The Shop Standard Model can be equipped with all types, call for additional details about these options and the machine model you are considering.



# PROBLEMS AND SOLUTION FOR POOR MACHINE OPERATION

## Problem

## Reason

Erratic abrasive delivery

**ABRASIVE** mixing valve not adjusted for abrasive size used.  
**COMPRESSED** air not dry and moisture free.  
**BELOW** required abrasive level for operation.  
**PLUGGED** or clogged hopper scalper screen.  
**ABRASIVE** worn to ultra-fine size requiring abrasive change. Worn out abrasive will not flow uniformly.  
**NOZZLE** oversized and worn preventing high abrasive velocity and allowing increased erratic abrasive delivery to part.  
**MIXING** valve ID tube worn out or not adjusted properly.

No abrasive delivery

**HOLE** in abrasive hose.  
**HOLE** in abrasive gun body.  
**AIR JET** worn out, passing too much air.  
**MIXING** valve turned OFF or mixing valve pin not touching outer valve body.  
**ABRASIVE** hose in gun body installed in front of abrasive gun air jet.  
**ABRASIVE** gun air hose and abrasive hose in wrong location.  
**ABRASIVE** gun body clogged with deposits from air compressor passing oil.  
**WET** abrasive from air compressor.  
**WET** hardened abrasive around mixing valve.  
**FINE** worn out abrasive not flowing to mixing valve.  
**SCALPER** screen in hopper clogged with debris.  
**MIXING** valve plugged with long small narrow material passing through hopper scalper screen.  
**AIR** jet not matched to nozzle size.

Low abrasive delivery

**SMALL** hole in abrasive hose.  
**HOLE** in abrasive hose fitting.  
**MIXING** valve turned OFF.  
**MIXING** valve pin not seated against valve body  
**NOZZLE** plugged with debris passing through mixing valve.  
**LOW** line pressure or smaller than required air compressor.

Dusty abrasive, poor visibility

**DIRTY** dust collector filters lowering blower performance.  
**WORN OUT** abrasive, dusty fine condition.  
**BLOWER** rotation backwards.  
**LARGER** than normal gun size for machine being used.  
**SAND** or poor quality abrasive, not for use.  
**DUST COLLECTOR** has not been cleaned.

Dust collector not cleaning

**FILTER** surface plugged with oil or wet compressed air.  
**FILTER** surface old, no longer passing proper exhaust blower CFM.  
**EXHAUST** blower not turned OFF during cleaning operation.

Poor cabinet visibility

**DUST** collector requires cleaning or cleaned more times per day.  
**ABRASIVE** requires changing due to fine worn out condition.  
**DIRTY** abrasive requires changing.

**WRONG** abrasive size for machine style.  
**WRONG** machine style for part condition.  
**EXHAUST** blower wrong rotation.  
**CABINET** light burned out or wrong bulb size.

High abrasive usage

**SEPARATOR** reclaimer worn out, requires replacement.  
**INCORRECT** machine style for abrasive size used. Abrasive too fine for separator style.  
**BLASTING** pressure exceeding maximum abrasive impact velocity.  
**POOR** quality abrasive, low hardness.

Premature window failure

**POOR** cabinet visibility due to worn out abrasive. Operator holding part too close to view window.  
**IMPROPER** gun angle allowing abrasive to bounce directly back against window.  
**OPERATING** with cutting abrasive without window protector assembly.

Excessive gun wear

**WORN** air jet preventing proper compressed air flow.  
**WRONG** nozzle type for abrasive being used.

Longer cleaning times

**ABRASIVE** worn out and oversized producing slower and slower particle velocities.  
**LIMITED** compressed air, unable to maintain constant air pressure to gun.  
**ADDITIONAL** compressed air usage at other locations in the facility lowering blasting pressures.  
**ABRASIVE** type changed to non-cutting type.



## WARRANTY

Media Blast & Abrasives, Inc., hereinafter known as "Seller", warrants the equipment and products sold hereunder against defects in material and workmanship for a period of one year from the date of shipment to buyer.

Equipment, products or parts manufactured by others but furnished by seller will be repaired or replaced only to the extent of the original manufacturer's warranty (except motors).

The following conditions apply to limitations:

1. High wear parts are not covered, these parts include windows, window protectors, nozzles, gun parts, abrasive hose and other parts exposed to excessive abrasive contact and wear.
2. Warranty does not apply to misuse of the machine to include improper abrasive type use and or abrasive mesh size used in the equipment. No Media Blast equipment is used with sand, sand will void the machine warranty and is known to be a health hazard.
3. The machine warranty is not transferable and only applies to the original buyer.
4. Replacement warranty parts will be sent at no charge to the buyer for warranty replacement. The cost of labor is not covered under the machine warranty unless preformed at the seller's facility.
5. A Returned Goods Authorization (RGA) form must be obtained before the product is returned to seller for warranty repair. Without an RGA number the product will not be accepted.
6. Seller's entire liability, whether under warranty, contract, negligence, or otherwise, shall be limited to repair or replacement, F.O.B. Seller's place of business, of the original equipment found to be defective within the warranty period.



**MEDIA BLAST  
& ABRASIVE, INC.**  
591 WEST APOLLO ST., BREA, CA 92821  
(714) 257-0484 | MEDIABLAST.COM





**MEDIA BLAST  
& ABRASIVE, INC.**  
591 WEST APOLLO ST., BREA, CA 92821  
(714) 257-0484 | [MEDIABLAST.COM](http://MEDIABLAST.COM)



## PARTS

Detailed parts drawings for any of the Light Duty and Non Production models is available on line using the Media Blast Website, [www.mediablast.com](http://www.mediablast.com)

Visit the site, fill out the serial number email form and Media Blast will send back the parts drawing for your exact machine model.

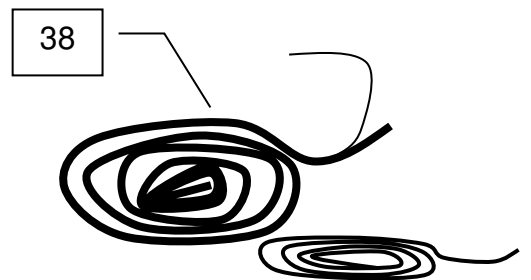
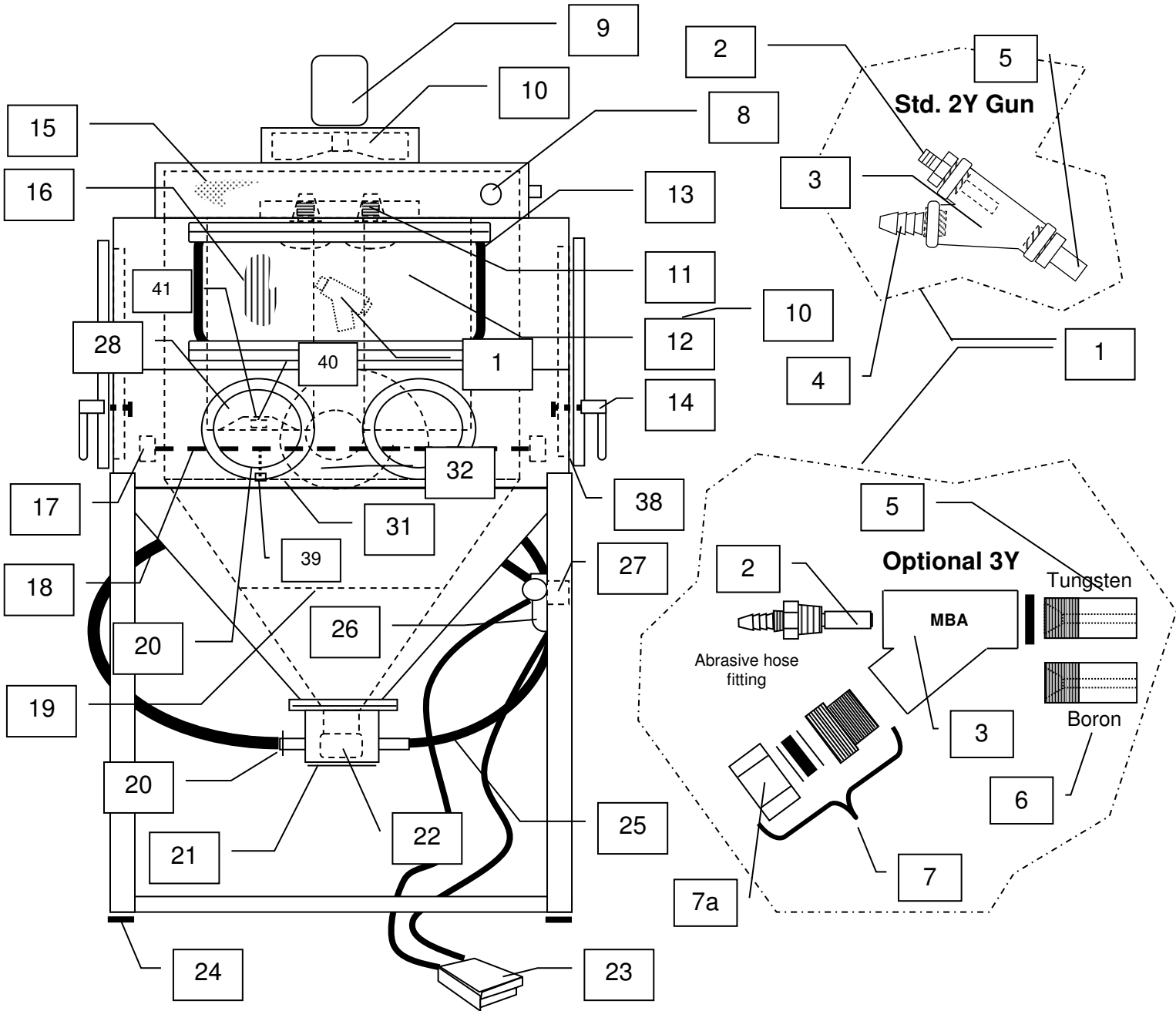
Replacement parts for Media Blast machines may be purchased by phone using a credit card or on account.

Additional information is available for non-current models by calling 1-866-204-7068...





# COBRA



Gaskets & Seals by the roll

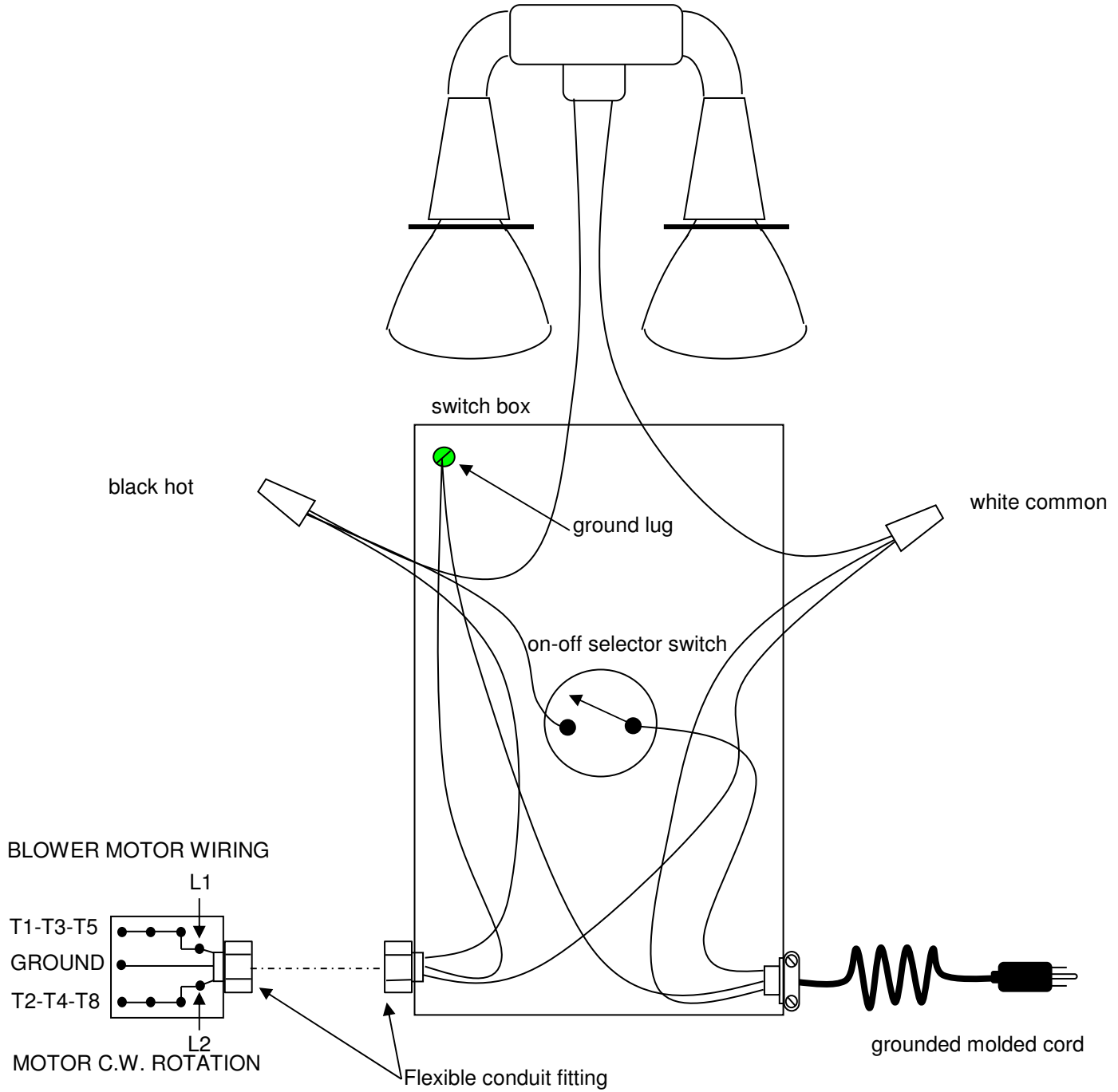


# Cobra

Bubble #	Part Number	Description
1	101-04-101	Complete 2Y Gun w/ 1/4" (#4) Tungsten Nozzle
1	103-04-011	Complete 3Y Gun w/ 1/4" (#4) Tungsten Nozzle
2	101-04-123	Air Jet for 2Y Gun
2	103-04-044	Air Jet for 3Y Gun w/ 1/4" (#4) Nozzle
3	101-04-124	2Y Gun Body
3	103-04-050	3Y Gun Body
4	101-04-104	1/2" NPT X 3/8" Barb Hose Fitting
5	101-19-121	2Y TC Nozzle
5	100-19-044	3Y 1/4" ID TC Nozzle
6	100-19-034	3Y 1/4" ID (#4) x 2" Boron Nozzle
7	103-16-031	Abrasive Hose Compression Fitting, Complete
7a	103-04-032	Retention Nut O-Ring
8	100-09-610	On-Off Switch Complete
9	100-05-101	1/2 HP Blower Motor, 3450 rpm
10	100-05-311	Blower Impeller 9"
11	100-09-052	Spot Light, 90 watt
12	109-06-029	Window, Safety Glass
12	109-06-030	Window Protector Glass
13	101-11-147	Window Seal
14	109-06-603	Door Handle, right
14	109-06-602	Door Handle, left
15	100-06-604	Air Inlet Filter
16	100-08-007	Filter Cartridge, 45 sq.ft. – 2 each
17	109-08-003	Rapper Handle – 2 each
18	109-08-006	Rapper Shaft Complete less handles <small>with lever bars</small>
19	100-25-151	Scalper Screen
20	103-26-041	Mixing Valve with air hose tube & pin
21	103-06-321	Feeder Boot and drain plate
22	100-08-142	Drain Cap
23	101-26-011	Foot Pedal Complete
24	109-18-605	Leg Levelers/Glides, 4 each
25	102-14-123	Abrasive Hose, Long Wear
26	100-03-600	Air Regulator, less gauge
26	109-13-101	Air Pressure Gauge
27	102-26-010	Master Air Control Valve
28	101-12-137	Combo Gloves, Pair
29	101-16-140	Clamps, 2 each
30	100-14-010	Air Hose
31	101-25-160	Expanded Metal Work Grate
32	101-01-105	Separator Reclaimer
38	100-11-040	3/8" x 1/2" x 25' Door Seals
39	109-08-004	Rapper Shock Pad - 2 each
40	100-08-141	Cartridge Tightening Knob - 2 each
41	100-08-013	Seal - 2 each

# Electrical Cobra

2 each 90 watt quartz spot lights



**120 VAC**

