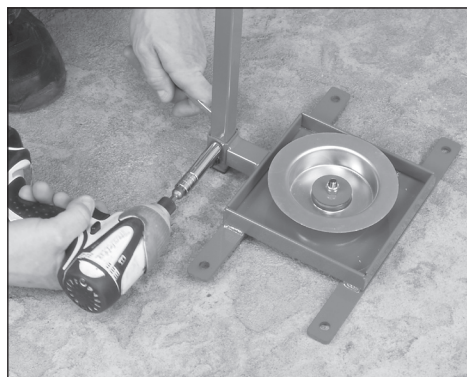


# Innovative Mobile Plastic Sheeting Dispenser™ Assembly Instructions

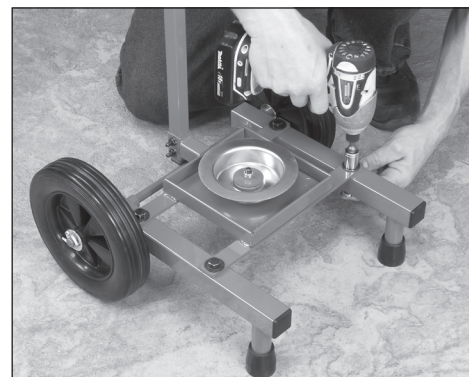
## P/N I-MPSD



Install axle and wheel to Base Legs



Insert Box Holder Upright into Lower Box Cap Base. Tighten bolts firmly.



Bolt Lower Box Cap Base to Base Leg assembly.



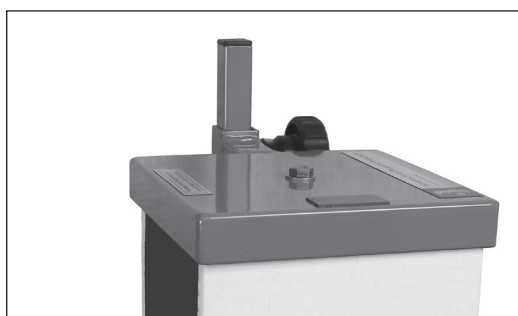
Install handles as shown. *Biceps this large NOT required for assembly.*



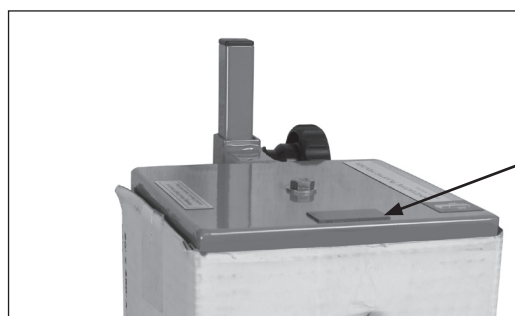
Upper Box Cap does not need to be removed when installing sheeting.



Shows sheeting installed.



Smaller boxes fit inside upper and lower box caps.



Magnetic tape to hold razor blade

Larger boxes fit outside of upper and lower box caps.

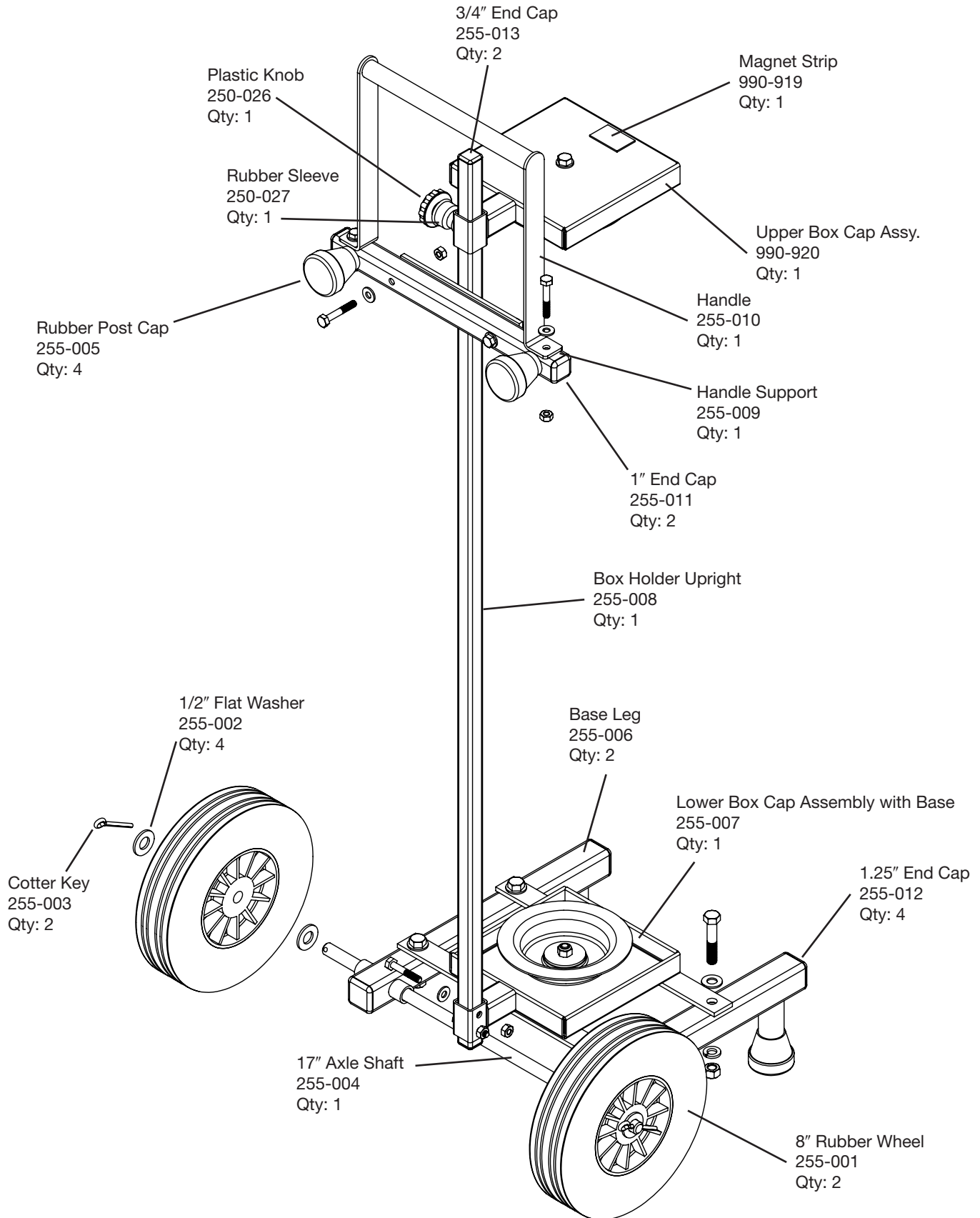
### Helpful usage hints

1. When installing boxes, use the vertical position.
2. Cut flaps off of box ends before installing into holder.
3. When dispensing plastic horizontally, always have plastic dispense from top as shown above.
4. Plastic cuts best with straight razor blade against the factory box.

For a demonstration video, please visit: [www.InnovativeTools.com](http://www.InnovativeTools.com)

# Innovative Mobile Plastic Sheet Dispenser™

## P/N I-MPSD



If you have any comments, questions or concerns about our products or are missing a part, please contact us toll-free at 1-866-438-4884 or 651-415-0733 or visit [www.innovativetools.com/contacts](http://www.innovativetools.com/contacts)