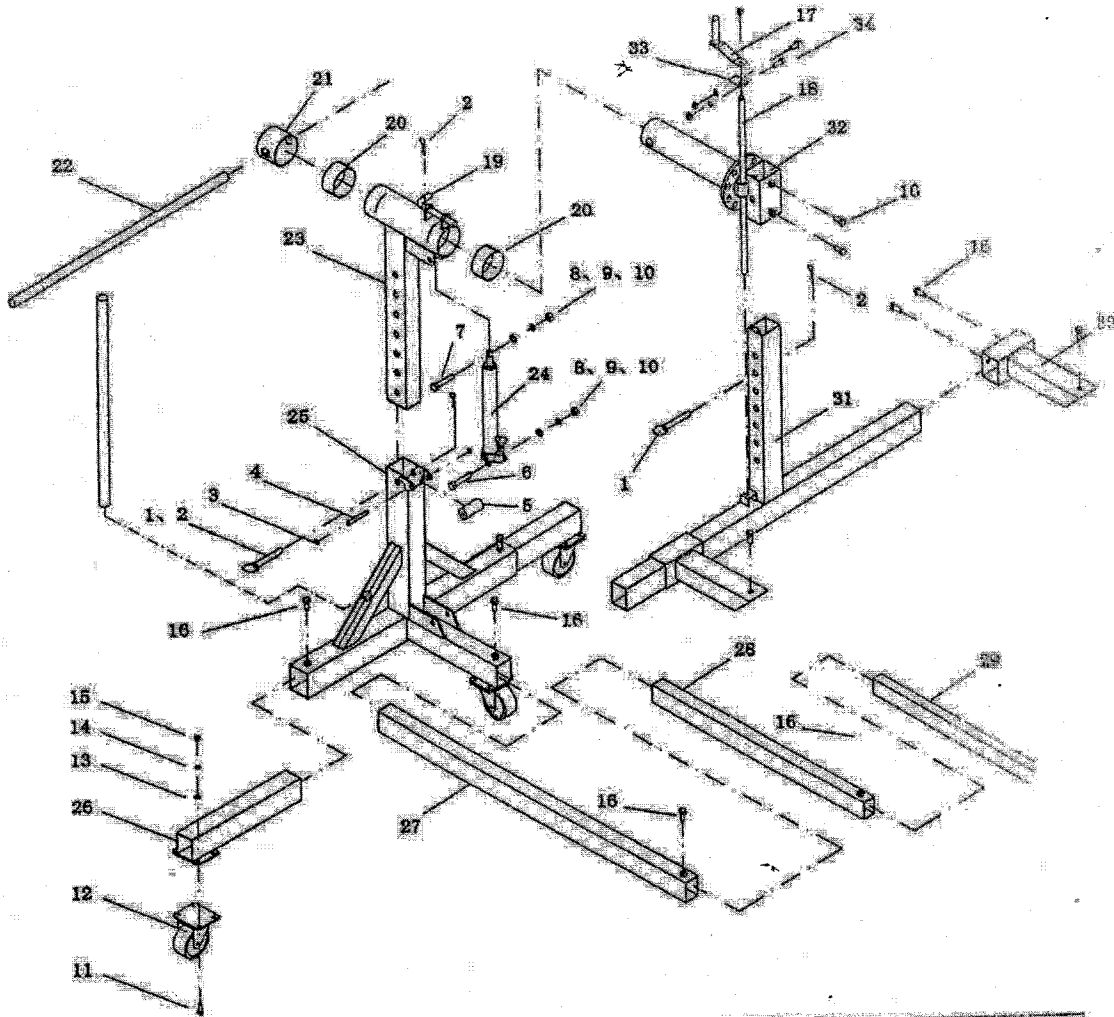


3000LBS Autotwirler plus automotive



PART	DESCRIPTION	QTY
1	Ø19 Pin	4
2	" R " Pin	6
3	Ø12 Spring	4
4	Ø12 Pin	2
5	Small wheel	2
6	Bolt M16 X 90	2
7	Bolt M16 X 80	2
8	Ø16 washer	4
9	Ø16 Spring washer	4
10	Nut M16	4
11	Bolt M10 X 30	24
12	5" Wheel	6
13	Ø10 washer	24
14	Ø10 Spring washer	24
15	Nut M10	24
16	Bolt M14 X 30	22
17	Bolt handle	2

PART	DESCRIPTION	QTY
18	Long bolt	2
19	" L " Pin	2
20	Bearing	4
21	Part	2
22	Handle	2
23	Inside support	2
24	Oil	2
25	Outside support	2
26	Short leg	4
27	Long leg	2
28	Middle leg 1	2
29	Middle leg 2	1
30	Small leg	4
31	" T " Support	2
32	Vertical Column	2
33	" L " Plate	2
34	Bolt M6 X 20	4